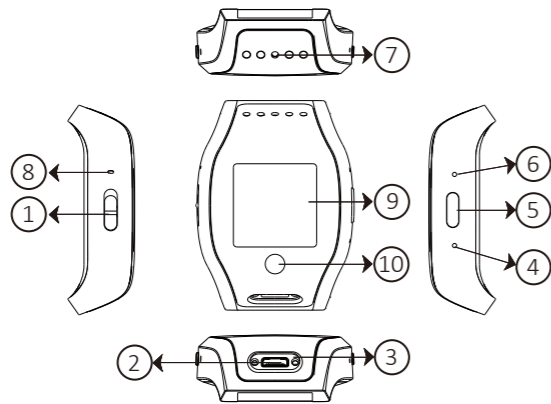


1. Names and Parts - DVR

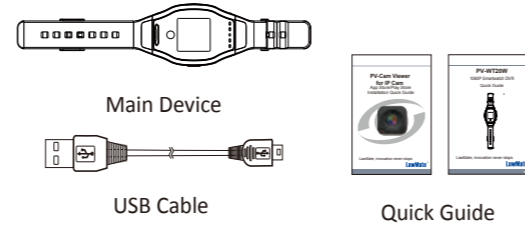


- | | |
|--------------------------|------------------|
| 1. Power On / Off Switch | 6. Reset Button |
| 2. USB Port | 7. Lens |
| 3. LED Indicators | 8. Microphone |
| 4. Default Button | 9. LCD Screen |
| 5. Wi-Fi On / Off Button | 10. Touch Button |

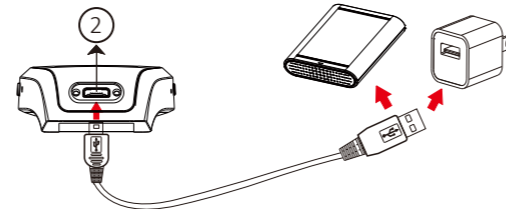
* Warranty will be void if serial number sticker is tampered.
* No microphones are available for USA market.

1

2. Package Content



3. Charge the Battery

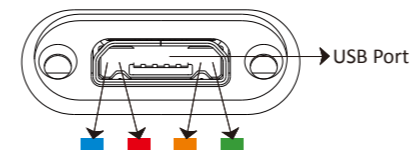


- 3.1 Plug the micro USB end of the cable to ② and connect the other end to an USB power source (as shown above), or plug it to a power bank of your own choice.
- 3.2 Green LED will be solid on while charging. After fully charged, green LED will go off.

2

4. LED Indicators

Open the cover of USB port, there will be 2 LED indicators on the left, and 2 on the right.



LED Indicators	Device Status
Solid Blue LED	Device On
Solid Red LED	Recording
Blinking Orange LED	Searching Wi-Fi
Solid Orange LED	Wi-Fi Connected
Solid Green LED	Device Charging

* LED Indicators can be turned off via APP.

5. Format Memory Card

- 5.1 When the device is powered on, long press Wi-Fi button ⑤ until the red LED blinks and then release.
- 5.2 After 12 seconds, the format is done and device will automatically turn off.
- 5.3 You can also connect the device to your smartphone and format via the app PV CAM VIEWER.

3

6. Operation

6.1 Power On / Off

Switch ① upward to turn on; downward to power off.

6.2 Recording

10 seconds after device is on, it will start to record automatically.

6.3 Wi-Fi

With device powered on, press ⑤ once to turn on, and press it again to turn off.

For more information about Wi-Fi connection set up, please refer to Wi-Fi quick guide.

6.4 Reset

When the device functions abnormally, press ⑥ once.

6.5 Default

6.5.1 Restore Wi-Fi password and SSID

Long press ④ for more than 4 seconds but less than 10 seconds and release.

6.5.2 Restore factory settings

Long press ④ for more than 10 seconds and then release.

4

6.6 Touch Button

6.6.1 Show the time

Touch the button once and the screen will light up, showing the time and date. It will go off after 15 seconds if nothing done.

If the device is recording, it will show the battery status and with an R word on the up-left corner. If the built-in memory card is full, it will show an F word on the up-right corner.

* Please note that it will not show the battery status if the device is not recording.

* Please note the time is the same as the DVR. If you need to synchronize the time, please connect your phone to the DVR and synchronize via the app.

6.6.2 Change time format

When the LCD is lighted up, long touch the touch button, it will jump to time format setting page. Touch the button to choose.

6.6.3 Change the language

Long touch the button again and it will jump to language setting page. Touch the button to choose.

5

7. Date and Time Setting

Please refer to the **Synchronize the Time** steps on the **PV Cam Viewer for Wi-Fi Cam** guide.

* The time and date showed on the screen will be the same as the DVR.

8. Download Files

8.1 When the device is off, plug the micro USB end of the cable to USB port and connect the other end to PC.

8.2 After connecting to PC, power on the device

6

9. Specification

Built-in Camera Module	
Built-in Image Sensor	1/2.9" progressive CMOS sensor
Sensor Resolution	2304 × 1536
Sensor Sensitivity	3.3 Lux @ F 2.0
Lens F/No.	F 3.2
Focal Length	4mm
Angle of View	66°
Video Spec.	
Algorithm	H.264
File Format	MP4
Video Recording Mode	Manual
Recording Capability	1920 × 1080
Frame Rate	Up to 30 fps
WIFI Spec.	
Wi-Fi	Built-in Wi-Fi Module (IEEE 802.11b/g/n)
Wi-Fi Protocol	RTSP
Storage & I/O	
Memory Type	Micro SD Card (Support SDHC max = 32GB)
Data Interface	Mini USB 2.0
Misc.	
Date/Time Table	YYYY/MM/DD, HH:MM:SS
Snapshot	Recording and playback video (via smarphone app)
LCD Display	
LCD Size	1.3 inch
LCD Frame	320*240
Date/Time Table	US System, British System
Power	
Power Input	DC 5V
Power Consumption	220mA-260mA (Wi-Fi Off) / (Wi-Fi On + 90mA)
Charging Time	100min (300mA)
Battery Input	DC 3.7V / 500 mA high polymers battery
Battery Lifetime	Continuous recording 65min (Wi-Fi On) / 90min (Wi-Fi Off)
Recording time	150min @ 1920*1080 resolution (16GB SD card)
Vibration Alert	Power on/off, Recording, Low battery

7

PV-WT20W 1080p Smartwatch DVR Quick Guide



LawMate, innovation never stops

LawMate[®]

V1.0